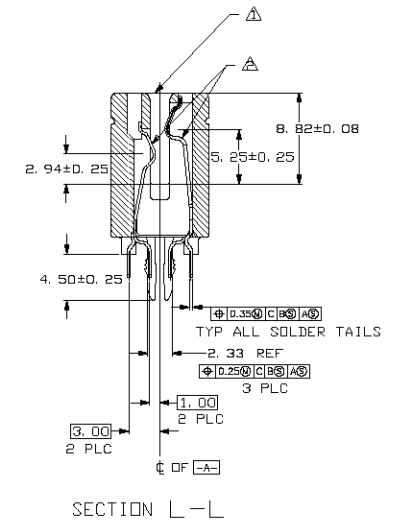
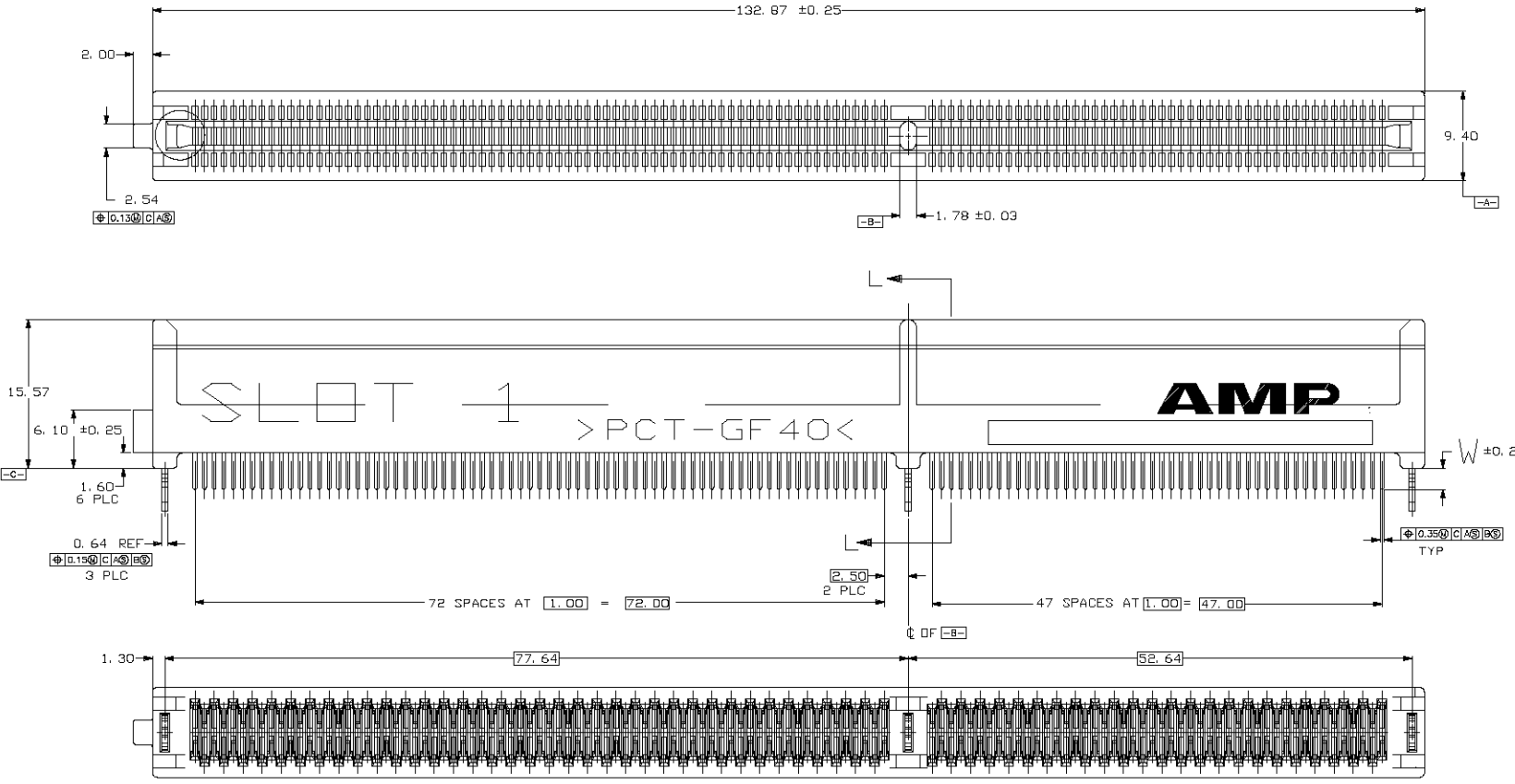


THIS DRAWING IS UNFINISHED. RELEASED FOR PUBLICATION. ALL RIGHTS RESERVED.

REV	DATE	DESCRIPTION	BY	CHK	APP
00		REVISED PER FB00-0246-04			



- ▲ MATERIAL: HOUSING, THERMOPLASTIC, COLOR: BROWN.
CONTACTS, PHOSPHOR BRONZE.
HOLD-DOWNS, BRASS.
- ▲ FINISH: CONTACTS, 1.27 MIN. MICROMETERS NICKEL ALL OVER,
0.38 MIN. MICROMETERS GOLD OVER NICKEL IN CONTACT AREA,
- ▲ FINISH: 2.54 MIN MICROMETERS TIN OVER NICKEL ON SOLDER TAILS.
- ▲ FINISH: CONTACTS, 1.27 MIN. MICROMETERS NICKEL ALL OVER,
0.0254-0.0762 MICROMETERS GOLD OVER NICKEL IN CONTACT AREA.

LEAD FREE

▲ ▲	3.18	5145251-6
▲ ▲	2.54	5145251-5
▲ ▲	3.18	5145251-3
▲ ▲	2.54	5145251-2
▲ ▲	2.16	5145251-1
PLATING	W	PART NO

THIS DRAWING IS A CONTROLLED DOCUMENT.		REV	DATE	BY	CHK	APP
DRAWN BY: J. YAO		01	21002504	J. YAO		
CHECKED BY: J. YAO		02	21002504	J. YAO		
DESIGNED BY: J. YAO		03	21002504	J. YAO		
DRAWN BY: J. YAO		04	21002504	J. YAO		
CHECKED BY: J. YAO		05	21002504	J. YAO		
DESIGNED BY: J. YAO		06	21002504	J. YAO		
DRAWN BY: J. YAO		07	21002504	J. YAO		
CHECKED BY: J. YAO		08	21002504	J. YAO		
DESIGNED BY: J. YAO		09	21002504	J. YAO		
DRAWN BY: J. YAO		10	21002504	J. YAO		
CHECKED BY: J. YAO		11	21002504	J. YAO		
DESIGNED BY: J. YAO		12	21002504	J. YAO		
DRAWN BY: J. YAO		13	21002504	J. YAO		
CHECKED BY: J. YAO		14	21002504	J. YAO		
DESIGNED BY: J. YAO		15	21002504	J. YAO		
DRAWN BY: J. YAO		16	21002504	J. YAO		
CHECKED BY: J. YAO		17	21002504	J. YAO		
DESIGNED BY: J. YAO		18	21002504	J. YAO		
DRAWN BY: J. YAO		19	21002504	J. YAO		
CHECKED BY: J. YAO		20	21002504	J. YAO		
DESIGNED BY: J. YAO		21	21002504	J. YAO		
DRAWN BY: J. YAO		22	21002504	J. YAO		
CHECKED BY: J. YAO		23	21002504	J. YAO		
DESIGNED BY: J. YAO		24	21002504	J. YAO		
DRAWN BY: J. YAO		25	21002504	J. YAO		
CHECKED BY: J. YAO		26	21002504	J. YAO		
DESIGNED BY: J. YAO		27	21002504	J. YAO		
DRAWN BY: J. YAO		28	21002504	J. YAO		
CHECKED BY: J. YAO		29	21002504	J. YAO		
DESIGNED BY: J. YAO		30	21002504	J. YAO		
DRAWN BY: J. YAO		31	21002504	J. YAO		
CHECKED BY: J. YAO		32	21002504	J. YAO		
DESIGNED BY: J. YAO		33	21002504	J. YAO		
DRAWN BY: J. YAO		34	21002504	J. YAO		
CHECKED BY: J. YAO		35	21002504	J. YAO		
DESIGNED BY: J. YAO		36	21002504	J. YAO		
DRAWN BY: J. YAO		37	21002504	J. YAO		
CHECKED BY: J. YAO		38	21002504	J. YAO		
DESIGNED BY: J. YAO		39	21002504	J. YAO		
DRAWN BY: J. YAO		40	21002504	J. YAO		
CHECKED BY: J. YAO		41	21002504	J. YAO		
DESIGNED BY: J. YAO		42	21002504	J. YAO		
DRAWN BY: J. YAO		43	21002504	J. YAO		
CHECKED BY: J. YAO		44	21002504	J. YAO		
DESIGNED BY: J. YAO		45	21002504	J. YAO		
DRAWN BY: J. YAO		46	21002504	J. YAO		
CHECKED BY: J. YAO		47	21002504	J. YAO		
DESIGNED BY: J. YAO		48	21002504	J. YAO		
DRAWN BY: J. YAO		49	21002504	J. YAO		
CHECKED BY: J. YAO		50	21002504	J. YAO		
DESIGNED BY: J. YAO		51	21002504	J. YAO		
DRAWN BY: J. YAO		52	21002504	J. YAO		
CHECKED BY: J. YAO		53	21002504	J. YAO		
DESIGNED BY: J. YAO		54	21002504	J. YAO		
DRAWN BY: J. YAO		55	21002504	J. YAO		
CHECKED BY: J. YAO		56	21002504	J. YAO		
DESIGNED BY: J. YAO		57	21002504	J. YAO		
DRAWN BY: J. YAO		58	21002504	J. YAO		
CHECKED BY: J. YAO		59	21002504	J. YAO		
DESIGNED BY: J. YAO		60	21002504	J. YAO		
DRAWN BY: J. YAO		61	21002504	J. YAO		
CHECKED BY: J. YAO		62	21002504	J. YAO		
DESIGNED BY: J. YAO		63	21002504	J. YAO		
DRAWN BY: J. YAO		64	21002504	J. YAO		
CHECKED BY: J. YAO		65	21002504	J. YAO		
DESIGNED BY: J. YAO		66	21002504	J. YAO		
DRAWN BY: J. YAO		67	21002504	J. YAO		
CHECKED BY: J. YAO		68	21002504	J. YAO		
DESIGNED BY: J. YAO		69	21002504	J. YAO		
DRAWN BY: J. YAO		70	21002504	J. YAO		
CHECKED BY: J. YAO		71	21002504	J. YAO		
DESIGNED BY: J. YAO		72	21002504	J. YAO		
DRAWN BY: J. YAO		73	21002504	J. YAO		
CHECKED BY: J. YAO		74	21002504	J. YAO		
DESIGNED BY: J. YAO		75	21002504	J. YAO		
DRAWN BY: J. YAO		76	21002504	J. YAO		
CHECKED BY: J. YAO		77	21002504	J. YAO		
DESIGNED BY: J. YAO		78	21002504	J. YAO		
DRAWN BY: J. YAO		79	21002504	J. YAO		
CHECKED BY: J. YAO		80	21002504	J. YAO		
DESIGNED BY: J. YAO		81	21002504	J. YAO		
DRAWN BY: J. YAO		82	21002504	J. YAO		
CHECKED BY: J. YAO		83	21002504	J. YAO		
DESIGNED BY: J. YAO		84	21002504	J. YAO		
DRAWN BY: J. YAO		85	21002504	J. YAO		
CHECKED BY: J. YAO		86	21002504	J. YAO		
DESIGNED BY: J. YAO		87	21002504	J. YAO		
DRAWN BY: J. YAO		88	21002504	J. YAO		
CHECKED BY: J. YAO		89	21002504	J. YAO		
DESIGNED BY: J. YAO		90	21002504	J. YAO		
DRAWN BY: J. YAO		91	21002504	J. YAO		
CHECKED BY: J. YAO		92	21002504	J. YAO		
DESIGNED BY: J. YAO		93	21002504	J. YAO		
DRAWN BY: J. YAO		94	21002504	J. YAO		
CHECKED BY: J. YAO		95	21002504	J. YAO		
DESIGNED BY: J. YAO		96	21002504	J. YAO		
DRAWN BY: J. YAO		97	21002504	J. YAO		
CHECKED BY: J. YAO		98	21002504	J. YAO		
DESIGNED BY: J. YAO		99	21002504	J. YAO		
DRAWN BY: J. YAO		100	21002504	J. YAO		

